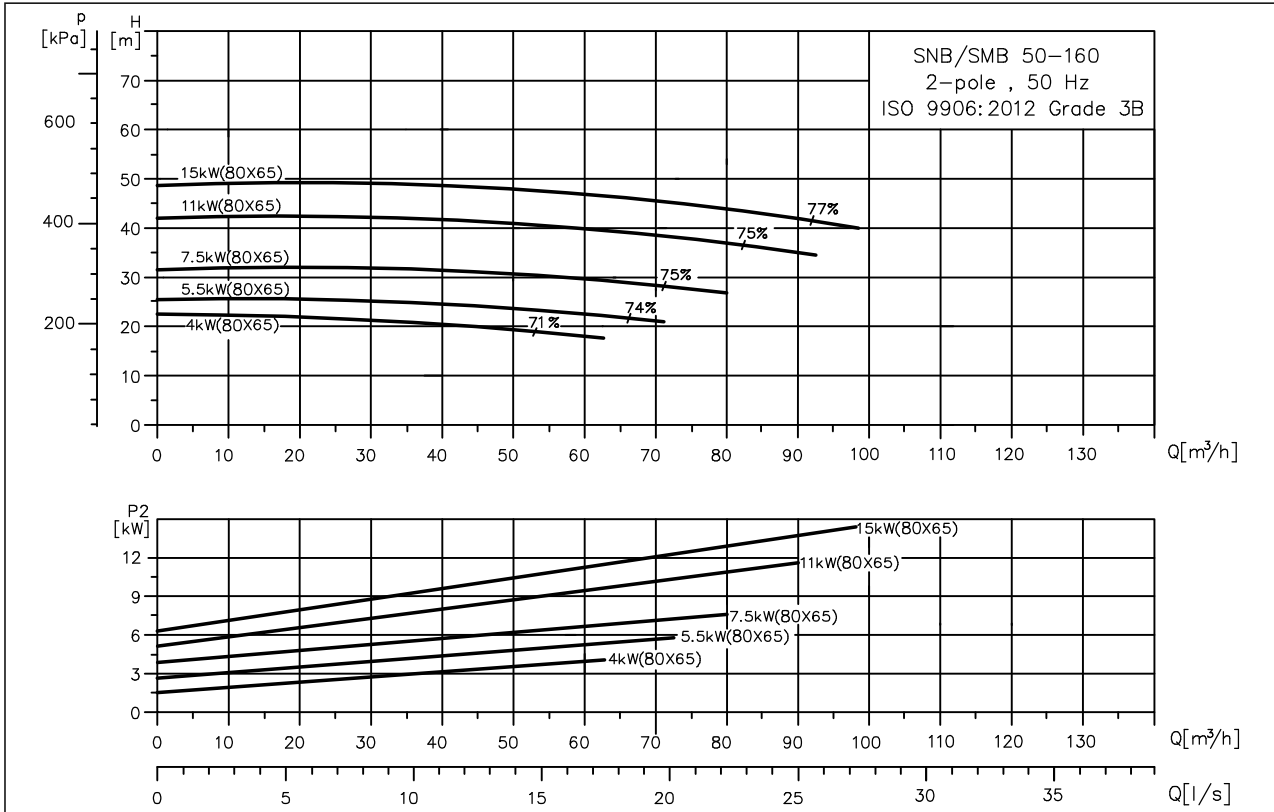


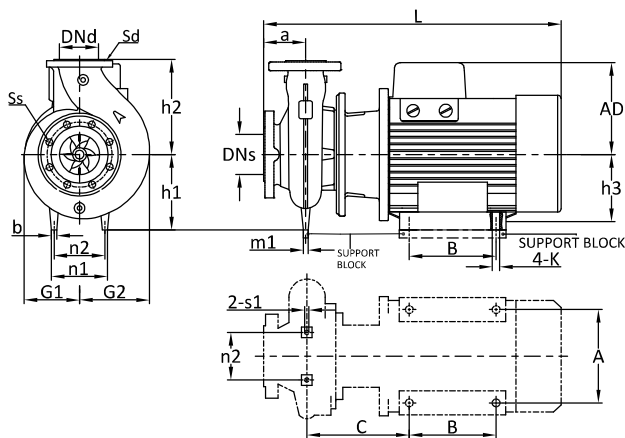
# PERFORMANCE CURVE

## SNB/SMB SS 50-160 (2 POLE)

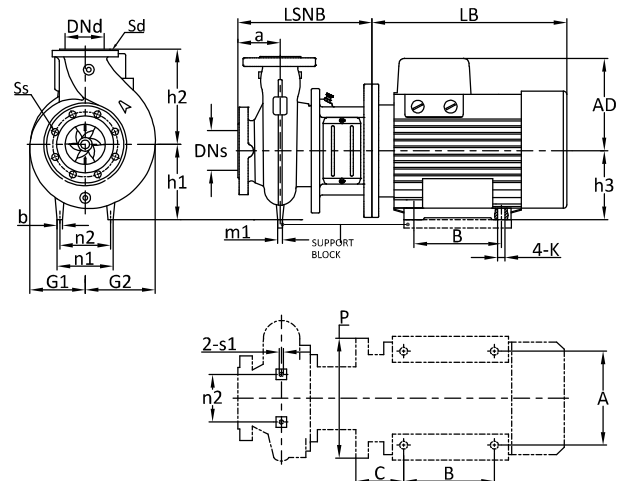


[kW / HP]	Suc. x Del.	Material Code
4.0 / 5.5	: 80 x 65 mm	9000030136 (SMB)
5.5 / 7.5	: 80 x 65 mm	9000019123 (SMB)
7.5 / 10.0	: 80 x 65 mm	9000019128 (SMB)
11.0 / 15.0	: 80 x 65 mm	9000019133 (SMB)
15.0 / 20.0	: 80 x 65 mm	9000018824 (SMB), 9000015584 (SNB)

### SMB SS



### SNB SS



## PERFORMANCE TABLE

### SNB/SMB SS 50-160 (2 POLE)

Pump type			50-160				
Motor type	HIGH EFF. MOTOR		SMG 100	SMG 132	SMG 132	SMG 160	SMG 160
COMMON DATA SNB/SMB SS	P <sub>2</sub>	[kW/HP]	4/5.5	5.5/7.5	7.5/10	11/15	15/20
	PN	[bar]	16	16	16	16	16
	DNs	[mm]	70	70	70	70	70
	DNd	[mm]	50	50	50	50	50
	a	[mm]	100	100	100	100	100
	h <sub>2</sub>	[mm]	180	180	180	180	180
	h <sub>1</sub>	[mm]	153	153	153	153	153
	S <sub>s</sub>		4x Slot(19x22)	4x Slot(19x22)	4x Slot(19x22)	4x Slot(19x22)	4x Slot(19x22)
	S <sub>d</sub>		4x Slot(19x21)	4x Slot(19x21)	4x Slot(19x21)	4x Slot(19x21)	4x Slot(19x21)
	G <sub>1</sub>	[mm]	123	123	123	123	123
	G <sub>2</sub>	[mm]	148	148	148	148	148
	m <sub>1</sub>	[mm]	18	18	18	18	18
	m <sub>2</sub>	[mm]	-	-	-	-	-
	n <sub>1</sub>	[mm]	116	116	116	116	116
	n <sub>2</sub>	[mm]	98	98	98	98	98
b	[mm]	18	18	18	18	18	
s <sub>1</sub>	[mm]	M8	M8	M8	M8	M8	
SNB SS DATA	AD	[mm]	-	-	-	-	233
	h <sub>3</sub>	[mm]	-	-	-	-	160
	A	[mm]	-	-	-	-	254
	B	[mm]	-	-	-	-	254
	K	[mm]	-	-	-	-	M12
	L SNB	[mm]	-	-	-	-	344
	LB	[mm]	-	-	-	-	565
	C	[mm]	-	-	-	-	108
	P	[mm]	-	-	-	-	350
NET WT. (APX.)	[kg]	-	-	-	-	185	
SMB SS DATA	AD	[mm]	170	138	138	199	233
	h <sub>3</sub>	[mm]	112	160	160	170	160
	A	[mm]	189	195	195	232	254
	B	[mm]	140	120	120	310	254
	K	[mm]	M12	M12	M12	M16	M12
	L	[mm]	522	591	591	693	745
	C	[mm]	150.5	217.5	217.5	141	191
	NET WT. (APX.)	[kg]	60	76	76	145	160